

TP 100 MOBILE

The TP 100 is a drum chipper with a vertical funnel. Compact and effective wood chipper for chipping branches up to 100 mm in diameter. Retraction and cutting the material happens at the combination of the vertical chipper and the knives' position on the drum in relation to the anvil.

Standard on TP 100

- Revolving ejector spout
- V-belt drive
- Two reversible knives
- Tool kit
- One anvil in Hardox 400

TP 100 is available for tractor or on trailer with its own engine. A small wood chipper with large capacity and very handy in tight places.



TP 100

TP 150

TP 200

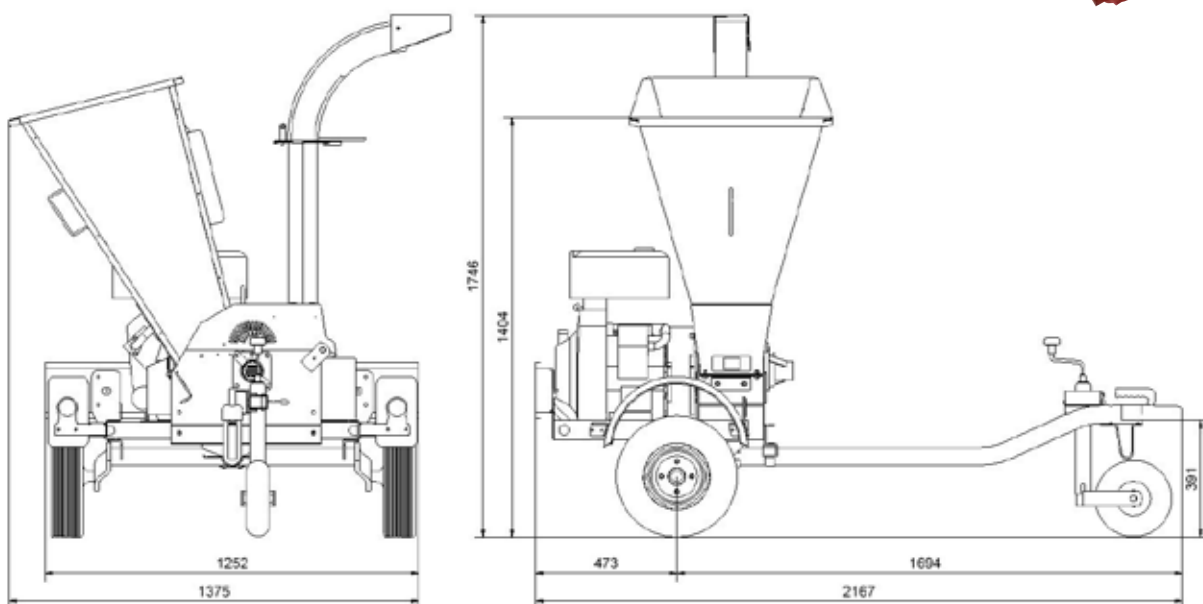
TP 250

TP 230

TP 270

TP 280

TP 400



TECHNICAL DATA

Max wood diameter	100 mm
Opening at Drum	L x B = 270 x 150 mm
Chipper principle	Drum
In feed	Vertical
Drum diameter	410 mm
Drum - Weight in kg	48
Number of knives	2 pcs. (reversible)
Chip length	5 - 20 mm
Anvil	1 horizontal
Engine	Briggs & Stratton (Vanguard) petrol with electrical start, 2 cylinders, 18 hk
Transmission	V-belt drive for start of wood chipper
Fuel consumption	2,5/hour (18 hp) - experience numbers
Tank volume	8,5 liter
Chip capacity	1 - 2 m³/hour (Experience number when feeding manually)
Weight	280 kg (18 hp)
Trailer lock	Lock for mounting over the trailers hitch
Tool kit	Comprehensive tool-kit set for adjustment purposes